



# AUXP2CH36 - 36W

## 2 CHANNEL AUXILIARY PLUGIN



2 Channel Auxiliary Board for COB or CSP package footprint.

### PRODUCT FEATURES

- DALI DEVICE TYPE 8, PART 209
- 36 Watts
- Optical flicker %, <5%
- Perfect Dimming to 0.1%
- Smooth On/Off
- Eye response dimming
- MTBF >100K hours
- IP20

### TECHNOLOGY BENEFITS

- Expand flexibility of L-series MDD4 LED driver to drive 2-channels tuneable white system
- Single 2CH auxiliary Plugin cover up to 36 Watts tuneable white system. Total power is limited by L-series (L150 and L170) LED driver

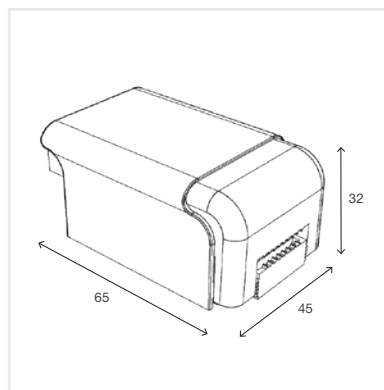
### FUNCTIONS

- Constant output dimming curve pre-programmed between 2 channels
- Overload protection
- Short-circuit protection
- No-load protection
- Hot-pluggable
- Additional advanced monitoring parameters including forward voltage, LED engine temperature, operating hours and energy consumption (DALI only)

### APPLICATION

- For track light, down light and custom made lighting for indoor retail and hospitality applications

### DIMENSIONS (MM)





**DETAILS SPECIFICATIONS**

<b>Input</b>	Rated supply Voltage	12 - 42 VDC
<b>Output</b>	LED Output Power	5 - 36 Watts (set by L-series LED driver)
	Output Voltage	12V - 42V
	Current Range	Set by R-series or L-series LED driver
	Tolerance	+/- 5%
	Ripple	<5%
	Optical flicker %	<5%, 2kHz
	Turn On Time	0.5s
<b>Control</b>	Dimming Protocol	DALI Device Type 8, Part 209
	DALI Dimming Range	<0.1%-100%

<b>Standard &amp; Certifications</b>	RoHS	Yes
	DALI Protocol	EN 62386
<b>Dimension</b>	L x W x H	L65 x W43.5 x H32mm
<b>Environment</b>	Ambient Temperature	-20°C - +50°C
	Working Humidity	0 - 95%
	Storage Temp/Humidity	-20°C ~ +85°C, 0 ~ 85% RH
<b>Lifetime</b>	>50,000 hours at Tc, 70°C	
<b>Warranty Period</b>	5 years	



**MODEL DATA**

Type	Rated Power	Output Forward Voltage ranges	Output Current ranges	Output Power ranges
36W 2 Channel Auxiliary Plugin	36W	12 - 42V	Set by L-series LED driver	5 - 36W

Optical flicker %	Max. Tc, case temperature	Dimming options	Dimming ranges
<5%, 2kHz	70°C	DALI Type 8, Part 209	<0.1% - 100%

# AUXP2CH36 - 36W

## ORDERING MATRIX CHART

Type	Part number	Unit/carton	Dimension/carton	Weight/carton
<b>36W 2 CHANNEL AUXILIARY PLUGIN</b>	<b>AUXP2CH36</b>	<b>50</b>	<b>XX</b>	<b>XX</b>

example: AUXP2CH36.50